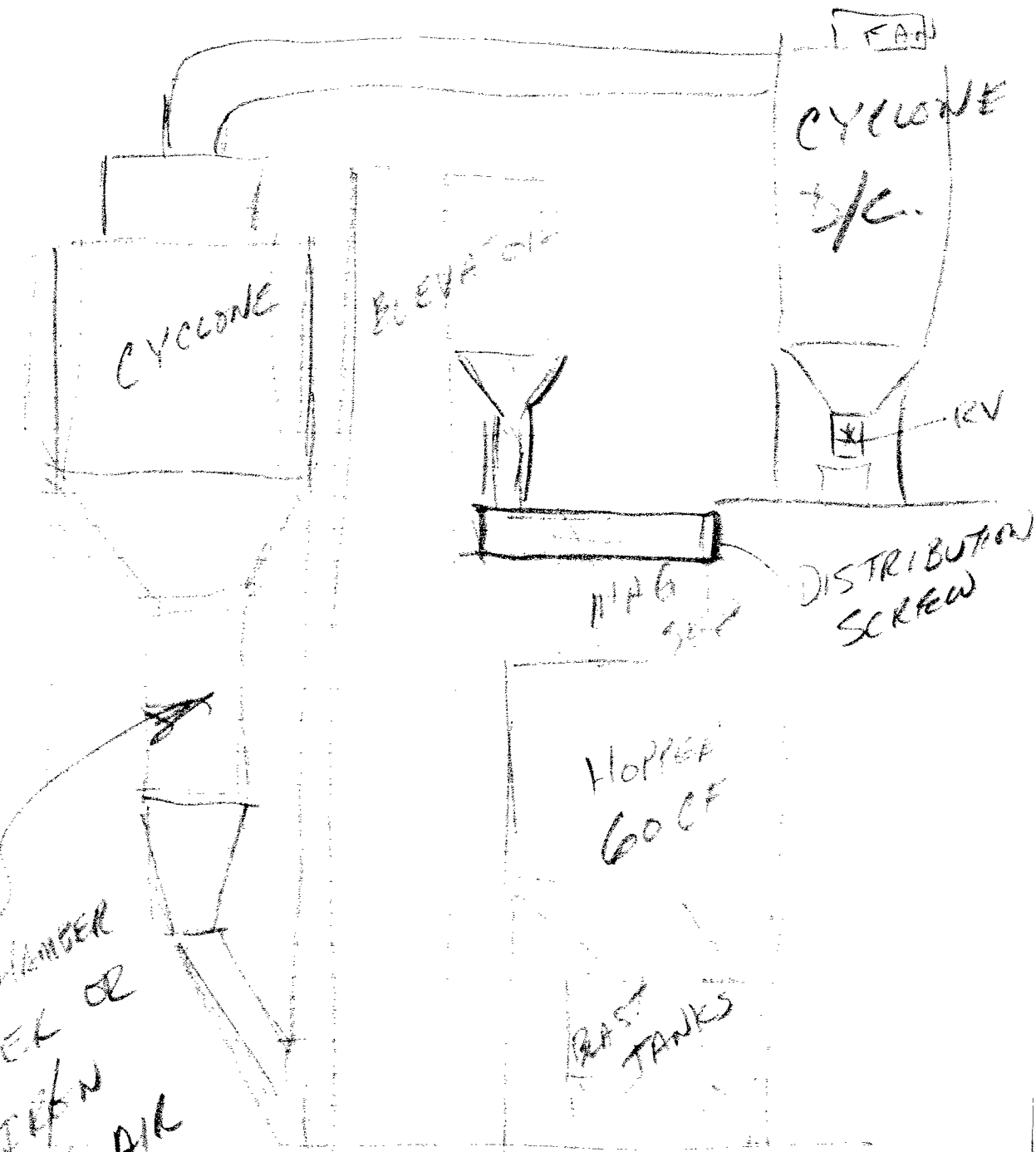


VACUUM HEADER

DOUBLE CHAMBER  
TRANSFER OR  
CAST IRON  
AIR  
LOCK



CYCLONE

ELEVATOR

CYCLONE  
3/4"

DISTRIBUTION  
SCREW

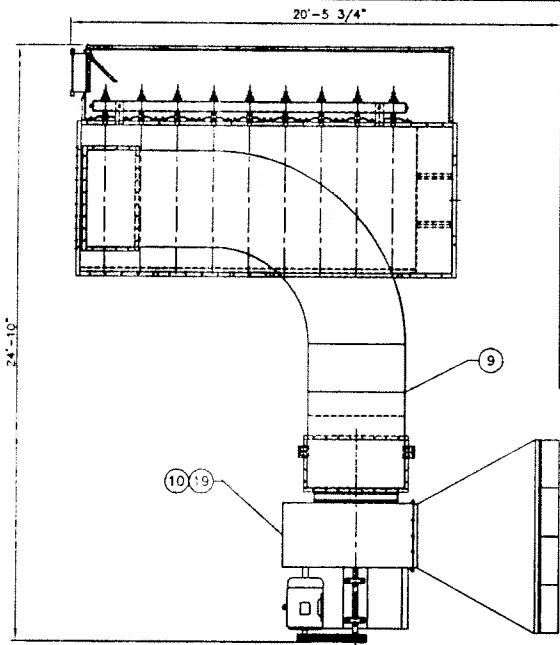
HOPPER  
60 CF

CAST  
TANKS

REV

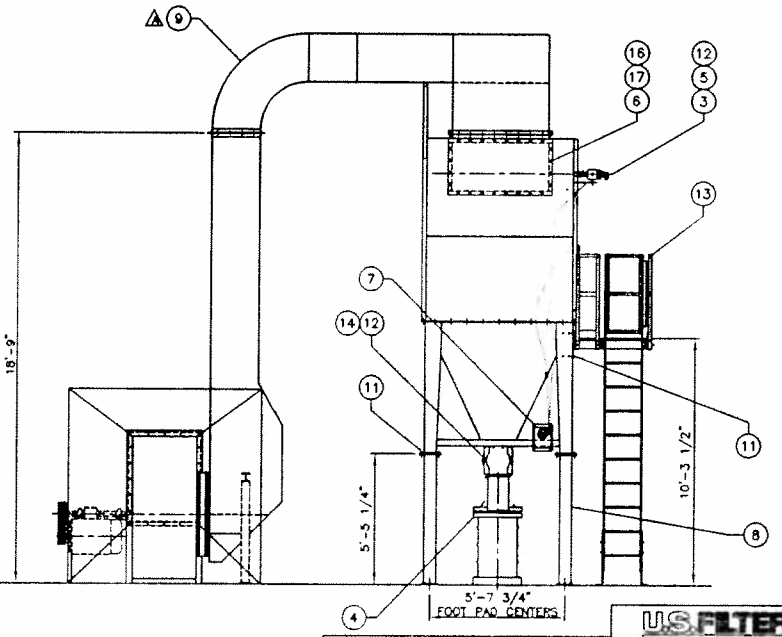
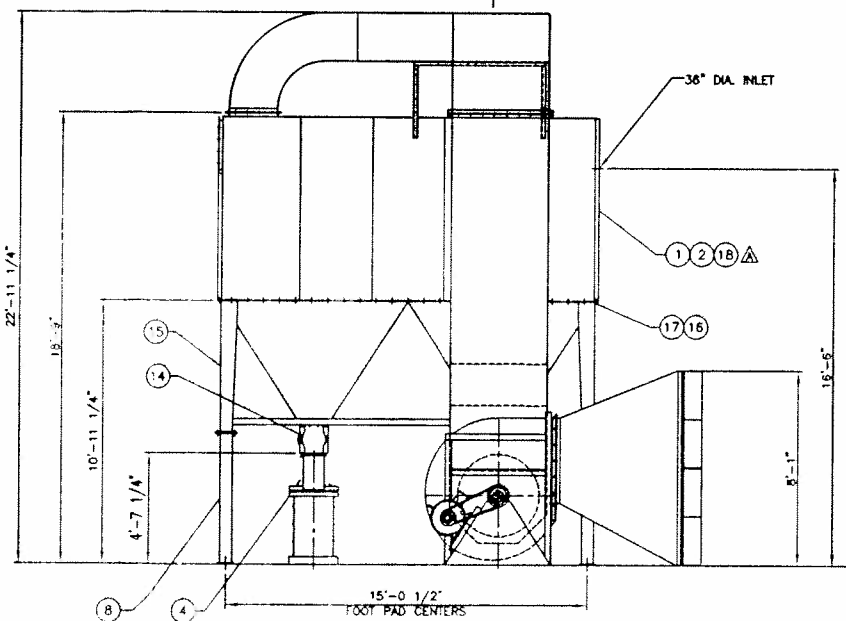
REV





ITEM	QTY	PART NO	DWG NO	DESCRIPTION	WT
1	1	C195906	A1-78754	JPSMA-5045 DUST COLLECTOR HOUSING	475
2	9	C180347	A2-39018	COLLECTOR ACCESS DOOR	56K
3	1	C187845	A1-74636	FLOW-THRU HEADER (9) OUTLETS (110 VOLT)	29K
4	2	C195810	A3-44388	HOPPER DISCHARGE	78
5	9	C181872	A1-71554	JET PULSE ARRANGEMENT (DOUBLE CARTRIDGE)	-
6	1	C196131	A3-44434	INSPECTION COVER	79
7	1	C151850	A3-34084	PHOTOELECTRIC GAUGE & TIMER BOARD	4
8	4	C195835	A3-44401	DUST COLLECTOR LEG X 80 1/4"	388
9	1	C195846	A1-78712	FAN DUCTING ARRANGEMENT	458
10	1	C196128	-	FAN 5020, SIZE 4025, 27000 CFM @ 10" SP	-
11	32	-	-	3/4" MC A325 BOLT ASSY X 2 1/2"	-
12	34	-	-	3/8" MC HEX NUT C/W FW & LW	-
13	1	C196119	A1-78888	SERVICE ACCESS	728
14	2	C89139	A1-27302	ROTARY VALVE ASSEMBLY, 575/3/80	-
15	1	C195815	A1-78887	JPSMA-5045 HOPPER WELDMENT	254
16	90	-	-	1/2" MC HEX BOLT X 1 1/2" C/W FW	-
17	90	-	-	1/2" MC HEX NUT C/W FW & LW	-
18	1	C196404	A2-42981	DUST COLLECTOR SPRINKLER SYSTEM	13
19	-	C9087	-	MOTOR, 80 HP, 575/3/80	-

United Licence Number: M-M-PIP-04



PN C195643

REV	DATE	DESCRIPTION	BY
B	25 AUG 2004	REVISED FROM 30" HOLES FROM S/C REV. P. 9 TO 36" DN	SM
A	17 SEP 2004	GOOD FOR A IS. UPDATED JLS	SM

**U.S. FILTER BCP**

JPSMA-5045 DUST COLLECTOR  
 27,000 CFM @ 10" SP, SIDE INLET  
 SLIDE IN DOUBLE CARTRIDGE

DATE: 25 AUG 2004  
 DRAWN: S MORRIS  
 SCALE: 3/4" = 1'-0"

U.S. FILTER/BCP  
 1219 CORPORATE DRIVE  
 BIRMINGHAM, OHIO 43083  
 CANADA: (505) 318-7530  
 U.S.: (505) 318-7536

DRAWING NO. A1-78586  
 REV B  
 WEIGHT 14022

THIS DRAWING AND THE DESIGN SHOWN THEREIN IS THE PROPERTY OF U.S. FILTER/BCP AND USE OR COPIES THEREOF CANNOT BE MADE WITHOUT WRITTEN CONSENT